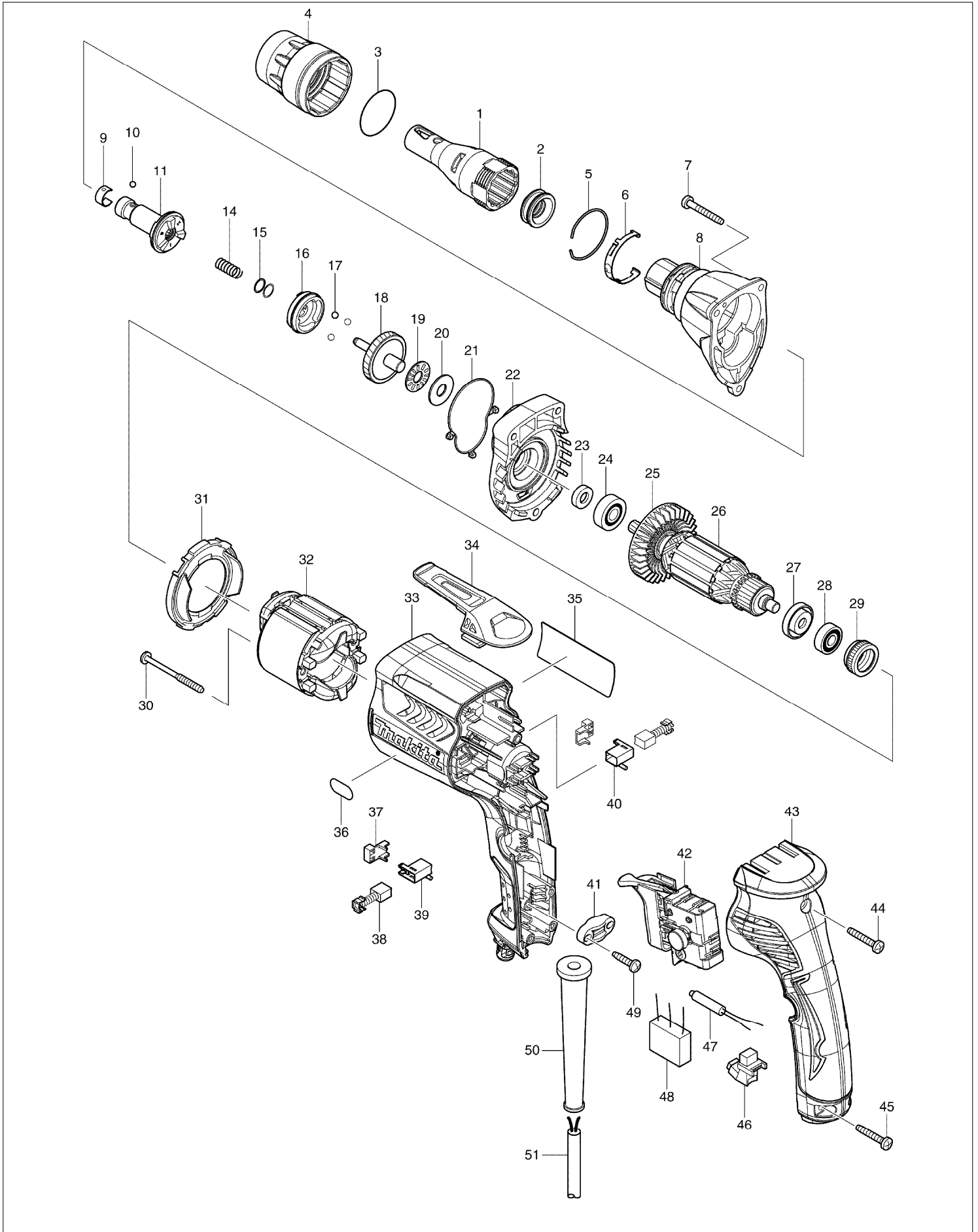


SERVICE DRAWING

MODEL NO. FS6300



SPARE PARTS LIST

MODEL NO. FS6300

ITEM	PART NO.	DESCRIPTION	QTY	NOTE
001	158875-2	LOCATOR S COMPLETE	1	
002	424163-2	DUST SEAL SLEEVE	1	
003	424235-3	SEAL RING 30	1	
004	450881-6	LOCK RING	1	
005	233974-2	RING SPRING 33	1	
006	232245-4	LEAF SPRING	1	
007	266361-0	TAPPING SCREW 4X30	3	
008	158881-7	GEAR HOUSING HSA COMPLETE	1	
009	232050-9	LEAF SPRING	1	
010	216001-0	STEEL BALL 3.5	1	
011	158886-7	SPINDLE 125S COMPLETE	1	
014	234121-8	COMPRESSEION SPRING 8	1	
015	267202-3	FLAT WASHER 8	2	
016	223170-0	CLUTCH CAM 125S	1	
017	216008-6	STEEL BALL 4	3	
018	158885-9	GEAR 38S COMPLETE	1	
019	216415-3	THRUST NEEDLE GAUGE 821	1	
020	216212-7	WASHER 821	1	
021	424162-4	SEAL RING	1	
022	158874-4	GEAR HOUSING COVER COMPLETE	1	
023	451100-3	RING 8	1	
024	210007-0	BALL BEARING 608VV	1	
025	240083-0	FAN 52	1	
026	515754-1	ARMATURE ASSEMBLY 240V INC. 23-25,27,28	1	
027	681636-0	INSULATION WASHER	1	
028	210062-2	BALL BEARING 607ZZ	1	
029	421868-5	LABYRINTH RUBBER RING 19	1	
030	266467-4	TAPPING SCREW 4X50	2	
031	450880-8	BAFFLE PLATE	1	
032	633693-4	FIELD 220-240V	1	
033	450878-5	MOTOR HOUSING L	1	
034	162272-6	HOOK	1	
035	866558-7	FS6300 NAME PLATE	1	
036	808576-9	6000RPM INDICATION LABEL	1	
037	689111-0	SPACER	2	
038	191962-4	CARBON BRUSH CB-419	1	
039	643948-9	BRUSH HOLDER	1	
040	643951-0	BRUSH HOLDER	1	
041	687124-5	STRAIN RELIEF	1	
042	650614-1	SWITCH	1	
043	158878-6	HANDLE COVER L COMPLETE	1	
044	266374-1	TAPPING SCREW 4X25	1	
045	266374-1	TAPPING SCREW 4X25	2	
046	631939-2	LIGHT CIRCUIT	1	
047	646122-8	CHOKE COIL	1	
048	645253-0	NOISE SUPPRESSOR	1	
049	265995-6	TAPPING SCREW 4X18	2	
050	682559-5	CORD GUARD 8	1	
051	695034-2	POWER SUPPLY CORD 1.0-2-4.0	1	
052	*****	*****	***	*****
053	423413-2	RUBBER PLATE	1	
A01	784261-7	+BIT 2-25	2	
A02	784811-8	MAGNETIC CONNECT BIT 6.35-60	1	